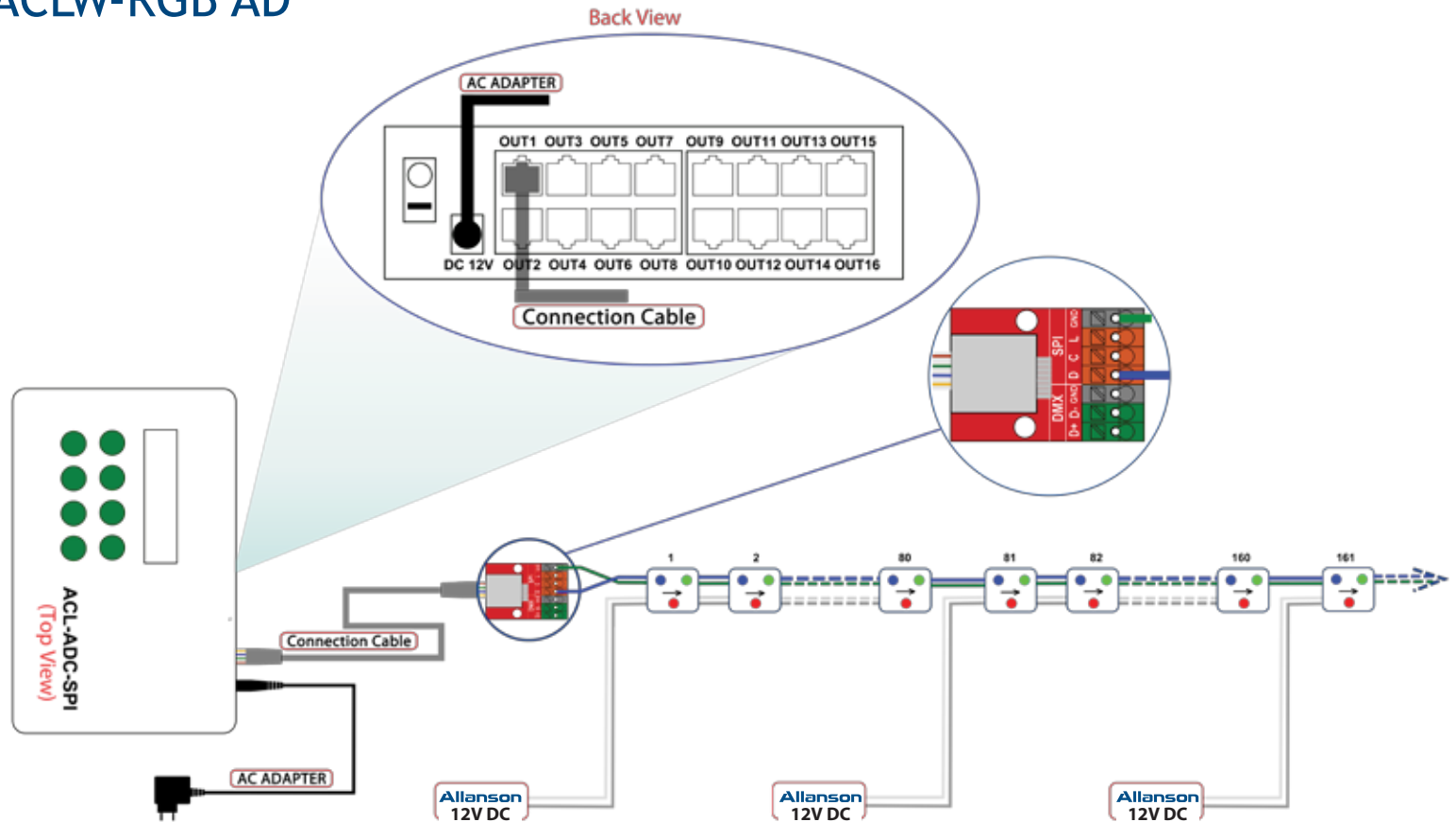


## WIRING DIAGRAM

### ACL-ADC-SPI & ACLW-RGB AD



Each Allanson 60W Power Supply (CV125 series) can run maximum 80 modules.  
 Maximum 16 Channels per controller. Maximum 1634 modules per channel.  
 Maximum distance between controller and first module and in between subsequent modules is 100' using Allanson Signal Cable (ACL-DMX-CBL-100), or 60' using CAT5/6 cable.

